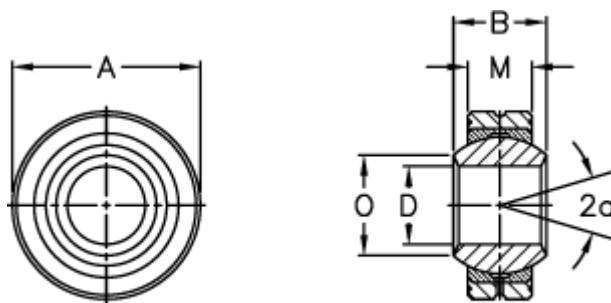


Article number: 03401010

Description: Fluro Rod end GLXS 10

Measures



Str. 3-4 uden smørerille

A	= 26
a (degrees)	= 13
B	= 14
D	= 10
Dynamic load C (kN)	= 10
M	= 10.5
O	= 12.9
Permissible rpm	= 1000

Static load C0 (kN)	= 60
Weight	= 38